

45ES/60ES ECONOMY TANDEM AXLE PIPE TOP UTILITY

G.V.W.R.	4,490# (45ES) or 6,000# (60ES)	AXLE	(2) 3,500# EZ Lube w/ (1) Elec. Brake (60ES)
G.A.W.R. (Ea. Axle)	3,500#	SUSPENSION	Multi-Leaf Spring w/ Equalizer
COUPLER	2" A-Frame	TIRE	ST205/75D-15 Load Range C
SAFETY CHAINS	1/4" Grd. 30 w/Safety Latch Hook (2 ea)	WHEEL	15" x 5"; Silver Mod, 5 on 5 Bolt Pattern
JACK	2,000# Top Wind (Bolted On)	FLOOR	2" Treated Pine or Douglas Fir*
TONGUE	4" Channel	LIGHTS	D.O.T. Stop, Tail, Turn & Clearance
TOP RAIL	2-3/8" OD Pipe	ELEC. PLUG	4-Way Flat w/ Loom (45ES), 7-Way RV (60ES)
FRAME	3" x 2" x 3/16" Angle	FINISH (PREP)	Steel is Cleaned to Ensure a Professional, Smooth Finish
CROSSMEMBERS	3" x 2" x 3/16" Angle	FINISH	Superior Quality Finish is Applied for a Highly Decorative and Protective Finish
UPRIGHTS	15" Tall 2" x 2" x 1/8" Angle		
FENDERS	9" x 72" Rolled Formed w/Back		

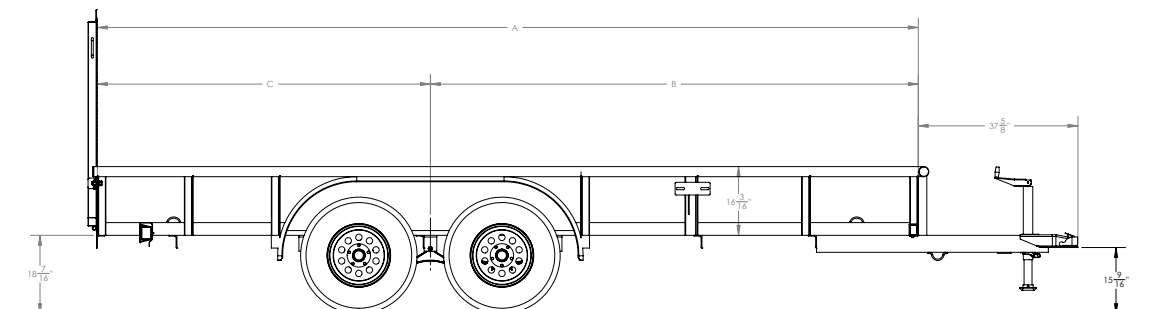
* Douglas Fir Available from Caldwell, ID Facility Only

STANDARD FEATURES

- (4) Tie Down Loops Inside Bed
- EZ Lube Hubs
- Dexter Brand Axles
- Cambered Axles
- Nev-R-Adjust Electric Brakes (60ES Only)
- Complete Break-A-Way System w/Charger (60ES Only)
- 2-3/8" Pipe Top Rail
- Removable Sand Foot on Jack

DESCRIPTION

Dimensions			
Length	A	B	C
12'	121-1/2"	85"	60-1/2"
14'	145-1/2"	103"	72-1/2"
16'	193-1/2"	115"	78-1/2"





Model ♦	Weight*	Description
45ES-12**	1385#	77" x 12' Economy Tandem Axle Pipe Top Utility Trailer- No Brakes
45ES-14**	1435#	77" x 14' Economy Tandem Axle Pipe Top Utility Trailer- No Brakes
45ES-16**	1480#	77" x 16' Economy Tandem Axle Pipe Top Utility Trailer- No Brakes
60ES-12	1430#	77" x 12' Economy Tandem Axle Pipe Top Utility Trailer
60ES-14	1480#	77" x 14' Economy Tandem Axle Pipe Top Utility Trailer
60ES-16	1525#	77" x 16' Economy Tandem Axle Pipe Top Utility Trailer

*Weights shown are for base models without options and are estimates only

****KNOW YOUR STATE'S BRAKE REQUIREMENTS. SOME STATES REQUIRE BRAKES ON ALL TANDEM AXLE TRAILERS**

OPTIONAL EQUIPMENT

Category	Code	Description
BRAKES	BRK2	Electric Brakes on 2nd Axle (60ES Only)
TIRE/WHEEL	SPMT	Spare Tire Mount (Side)
TIRE/WHEEL	SP	Spare Tire (ST205/75D-15 LR-C)
RAMPS	4RG	4' Tall Rear Rampgate

* Economy Model- No Additional Options Available (Black Only)

QUICK CONFIG

SKU	Color	Included Option(s)
45ES-12BK4RG	Black	77" X 12'; 4RG, SPMT- NO BRAKES
45ES-14BK4RG	Black	77" X 14'; 4RG, SPMT- NO BRAKES
45ES-16BK4RG	Black	77" X 16'; 4RG, SPMT- NO BRAKES
60ES-12BK4RG	Black	77" X 12'; 4RG, SPMT
60ES-14BK4RG	Black	77" X 14'; 4RG, SPMT
60ES-16BK4RG	Black	77" X 16'; 4RG, SPMT