

G.V.W.R.	7,000#	Axle	(2) 3,500# EZ Lube w/ (1) Elec. Brake
G.A.W.R. (Ea. Axle)	3,500#	Supension	Multi-Leaf Spring w/ Equalizer
Coupler	7,000#, 2" Forged Coupler	Tire	ST205/75R-15 Load Range C
Safety Chains	1/4" Grd. 70 w/Safety Latch Hook (2 ea)	Wheel	15" x 5"; White Spoke 5 on 5 Bolt Pattern
Jack	2,000# Top Wind (Bolted On)	Floor	2" Treated Pine or Douglas Fir*
Tongue	4" Channel Fold Back/Wrap Tongue	Lights	L.E.D. D.O.T. Stop, Tail, Turn & Clearance
Top Rail	2-3/8" Pipe Top Rail	Elec. Plug	7-Way RV
Frame	4" x 3" x 1/4" Angle	Finish (Prep)	Steel is Cleaned to Ensure a Professional Smooth Finish.
Crossmembers	3" x 2" x 3/16" Angle	Finish	Superior Quality Finish is Applied for a Highly Decorative and Protective Finish.
Sides	3" x 2" x 3/16" Angle		
Fenders	9" x 72" Tear Drop		

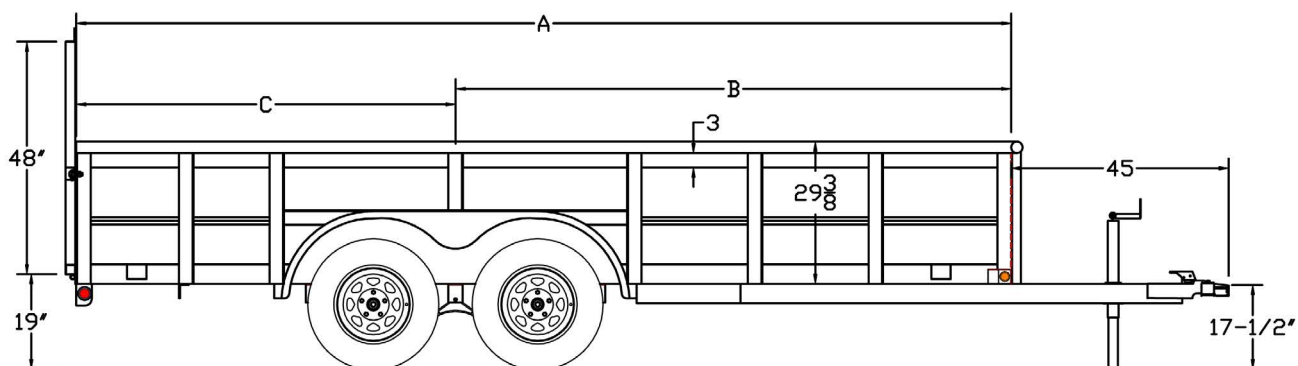
* Douglas Fir Available from Caldwell, ID Facility Only

Standard Features

- (4) Tie Down Loops Inside Bed
- (4) Tie Down Pockets on Outside Frame
- Forged, 7,000# Coupler
- Fold Back/Wrap Tongue (14' & Longer)
- Set-Back Jack
- EZ Lube Hubs
- Dexter Brand Axles
- Nev-R-Adjust Electric Brakes
- Cambered Axles
- 2-3/8" Pipe Top Rail
- 29-3/8" Tall Sides w/ 24" V-Crimped Steel Panels
- Tear Drop Style Fenders
- Grommet Mount Sealed Lighting
- L.E.D. Lighting Package
- Protected Wiring
- Removable Sand Foot on Jack
- Complete Break-A-Way System w/Charger
- Radial Tires **NEW!**

Description

Dimensions			
Length	A	B	C
12'	145-1/2"	85"	60-1/2"
14'	169-1/2"	103"	66-1/2"
16'	193-1/2"	115"	78-1/2"
18'	217-1/2"	127"	90-1/2"



70TV Tandem Axle Vanguard ●



Shown with optional rampgate and spare tire mount

◆ Model	Weight*	Description
70TV-12	1,665#	83" x 12' Tandem Axle Vanguard Trailer
70TV-14	1,755#	83" x 14' Tandem Axle Vanguard Trailer
70TV-16	1,845#	83" x 16' Tandem Axle Vanguard Trailer
70TV-18	1,935#	83" x 18' Tandem Axle Vanguard Trailer

*Weights shown are for base models without options and are estimates only

Optional Equipment

Category	Description
COUPLERS	2-5/16" Stamped Coupler
COUPLERS	2-5/16" Forged Coupler
JACKS	2,000# Fold-Up Jack
JACKS	7,000# Drop-Leg Jack
BRAKES	Electric Brakes on 2nd Axle
BRAKES	Hydraulic Surge Brakes 1 Axle w/Balcrank Actuator
BRAKES	Hydraulic Surge Brakes 2 Axles w/ Balcrank Actuator
TIRE/WHEEL	Spare Tire Mount (Side)
TIRE/WHEEL	Spare Tire (ST205/75R-15 LR-C)
TIRE/WHEEL	Tire Upgrade (ST225/75R-15 LR-D)
TIRE/WHEEL	Spare Tire Upgrade (ST225/75R-15 LR-D)
RAMPS	4' Tall Rear Rampgate
RAMPS	5' Tall Rear Rampgate
RAMPS	4' Heavy Duty Integrated Rampgate w/Gas Shock Assist
RAMPS	Gas Shock Assist Option for Rampgate
BODY	1/8" Diamond Plate Steel Floor (Per Square Foot)
CARGO CONTROL	Bolt-On Landscape Box (24" x 24" x 87")
CARGO CONTROL	3-Place Trimmer Racks (Bolt On)
CARGO CONTROL	5-Place Tool Holder (Bolt On)
CARGO CONTROL	Additional Tie Loops (Each)
CARGO CONTROL	Additional Tie Down Pockets (Each)