

# 355A-R5/R5X Single Axle ATV Trailer

<b>G.V.W.R.</b>	2,995#	<b>Axle</b>	3,500# EZ Lube Axle w/ Brake Flanges
<b>G.A.W.R. (Ea. Axle)</b>	2,995#	<b>Supension</b>	Multi-Leaf Spring
<b>Coupler</b>	2" A-Frame	<b>Tire</b>	ST205/75R-15 Load Range C
<b>Safety Chains</b>	1/4" Grd. 30 w/ Safety Latch Hook (2 ea)	<b>Wheel</b>	15" x 5; White Spoke, 5 on 5 Bolt Pattern
<b>Jack</b>	2,000# Top Wind (Bolted On)	<b>Floor</b>	2" Treated Pine or Douglas Fir*
<b>Tongue</b>	3" Channel	<b>Lights</b>	L.E.D. D.O.T. Stop, Tail, Turn & Clearance
<b>Top Rail</b>	2" Square Tubing	<b>Elec. Plug</b>	4-Way Flat w/ Loom
<b>Frame</b>	4" x 3" x 1/4" Angle	<b>Finish (Prep)</b>	Steel is Cleaned to Ensure a Professional, Smooth Finish
<b>Crossmembers</b>	3" x 2" x 3/16" Angle		
<b>Uprights</b>	14" Tall Angle, 2" x 2" x 1/8" Angle	<b>Finish</b>	Superior Quality Finish is Applied for a Highly Decorative and Protective Finish
<b>Fenders</b>	9" x 32" Rolled Formed w/ Back		

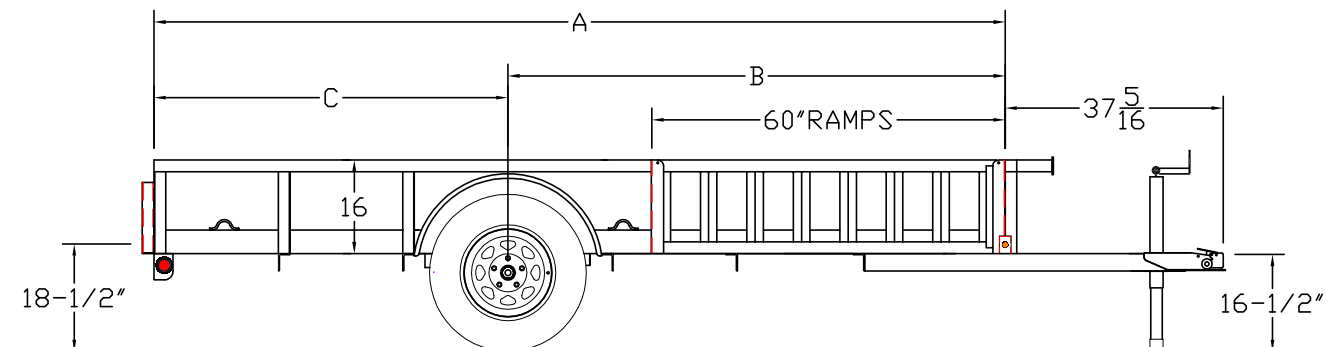
\* Douglas Fir Available from Caldwell, ID Facility Only

## Standard Features

- (6) Tie Down Loops Inside Bed
- EZ Lube Hubs
- Dexter Brand Axle
- 2" Square Tubing Top Rail
- Grommet Mount Sealed Lighting
- L.E.D. Lighting Package
- Protected Wiring
- Front Spare Tire Mount Standard
- Radial Tires **NEW!**
- Brake Flanges on Axle for Easy Brake Addition
- Removable Sand Foot on Jack
- A-Frame Channel Tongue
- Rear Tailboard Channels (Deleted if Rampgate Added)
- (2) 5' Square Tubing ATV Ramp Sides
- Ramps Can be Used on Either Sides and on Rear

## Description

Dimensions			
Length	A	B	C
12'	145-1/2"	85"	60-1/2"
14'	169-1/2"	97"	72-1/2"



# 35SA-RS/R SX Single Axle ATV Trailer ●



◆ Model	Weight*	Description
35SA-12RS	1,070#	77" x 12' Single Axle ATV Trailer
35SA-12RSX	1,140#	83" x 12' Single Axle ATV Trailer
35SA-14RS	1,150#	77" x 14' Single Axle ATV Trailer
35SA-14RSX	1,220#	83" x 14' Single Axle ATV Trailer

\*Weights shown are for base models without options and are estimates only

## Optional Equipment

Category	Description
COUPLERS	2" Forged Coupler
BRAKES	Electric Brakes w/ Complete Brake-Away Kit
JACKS	2,000# Fold-Up Jack
TIRE/WHEEL	Spare Tire & Wheel (ST205/75R-15 LR-C)
RAMPS	4' Tall Rear Rampgate (77" Wide)
RAMPS	4' Tall Rear Rampgate (83" Wide)
RAMPS	5' Tall Rear Rampgate (77" Wide)
RAMPS	5' Tall Rear Rampgate (83" Wide)
RAMPS	Gas Shock Assist Option for Rampgate
CARGO CONTROL	Tie Down Pockets (Each)
CARGO CONTROL	Additional Tie Loops (Each)