

10FT Pro Series Full Tilt Bed Equipment

G.V.W.R.	9,990#	Axle	(2) 5,200# , 4" Drop EZ Lube w/Electric Brakes
G.A.W.R. (Ea. Axle)	5,080#	Supension	Multi-Leaf Spring with Equalizer
Coupler	Adjustable Forged 2-5/16"	Tire	ST225/75 R-15 Load Range D
Safety Chains	1/4" Grd. 70 w/Safety Latch Hook (2 ea)	Wheel	15" x 6"; White Spoke 6 Bolt
Jack	7,000# Drop Leg (Bolted On)	Floor	2" Treated Pine or Douglas Fir*
Tongue	5" Channel Fold Back/Wrap	Lights	L.E.D. D.O.T. Stop, Tail, Turn & Clearance
Front Stop Rail	2" Tubing	Elec. Plug	7-Way RV
Frame	6" Channel	Finish (Prep)	Steel is Cleaned to Ensure a Professional Smooth Finish.
Crossmembers	3" Channel, 3" Sq. Tube	Finish	Superior Quality Finish is Applied for a Highly Decorative and Protective Finish.
Uprights	None		
Fenders	9" x 72" Teardrop w/Back (Bolted On)		

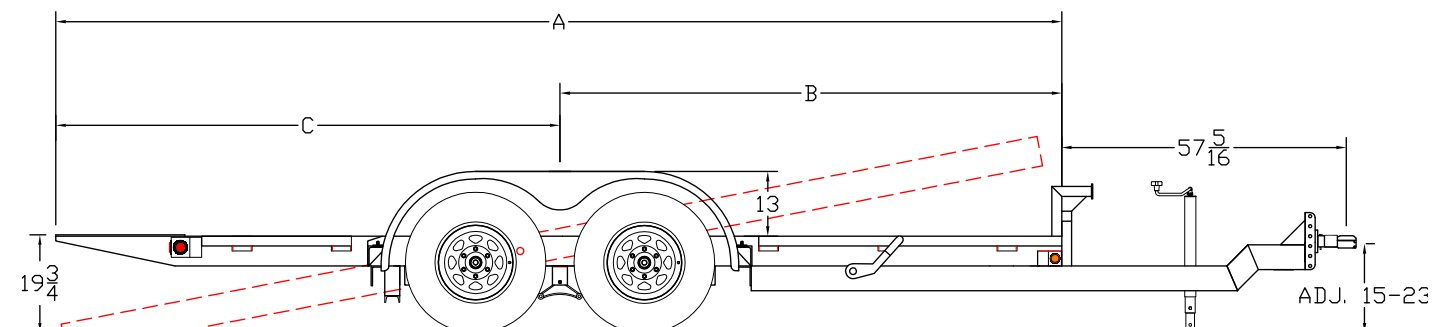
* Douglas Fir Available from Caldwell, ID Facility Only

Standard Features

- Rubrail and Tie Down Pockets Along Sides
- Forged Adjustable 2-5/16" Coupler
- Fold Back/Wrap Tongue w/ Raised Coupler
- Set-Back, 7,000# Drop Leg Jack
- 2" Tubular Stop Rail
- EZ Lube Hubs
- Dexter Brand Axles
- Nev-R-Adjust Electric Brakes on All Hubs
- Cambered 4" Drop Axles
- Complete Break-A-Way System w/Charger
- Removable Tear Drop Style Fenders
- Unique Two Piece Main Frame
- 102" Wide Overall, 83" Width Between Fenders
- Tilt Platform is 75" Wide
- Hydraulic Dampening System
- 1/4" Diamond Plate Knife Edge on Rear
- Grommet Mount Sealed Lighting
- L.E.D. Lighting Package
- Sealed Modular Wiring Harness
- Spare Tire Mount (Front)
- Radial Tires **NEW!**

Description

Dimensions			
Length	A	B	C
16'	202-1/2"	101"	101-1/2"
18'	225-1/2"	113"	112-1/2"
20'	249-1/2"	128"	121-1/2"



10FT Pro Series Full Tilt Bed Equipment



Model	Weight*	Description
10FT-16	2,850#	83" x 16' Pro Series Full Tilt Bed Equipment Trailer
10FT-18	2,970#	83" x 18' Pro Series Full Tilt Bed Equipment Trailer
10FT-20	3,120#	83" x 20' Pro Series Full Tilt Bed Equipment Trailer

*Weights shown are for base models without options and are estimates only

Optional Equipment

Category	Description
COUPLERS	Adjustable Pintle in Channel in Lieu of Coupler
JACKS	12,000# Drop Leg Jack - Top Wind
JACKS	12,000# Drop Leg Jack - Side Wind Against Bed
BRAKES	Hydraulic Surge Brakes 2 Axles w/Adjustable Demco Actuator
TIRE/WHEEL	Spare Tire (ST225/75 R-15 LR-D)
TIRE/WHEEL	Tire Upgrade (ST235/80 R-16 LR-E)
TIRE/WHEEL	Spare Tire Upgrade (ST235/80 R-16 LR-E)
BODY	1/8" Diamond Plate Steel Floor (Per Square Foot)
CARGO CONTROL	Recessed D-Ring in Floor (Steel Floor Only)
CARGO CONTROL	B40 5/8" D-Ring (Each)