

14TL Heavy Duty Tilt Bed Equipment

G.V.W.R.	14,000#	Axle	(2) 7,000#, 4" Drop EZ Lube w/Electric Brakes
G.A.W.R. (Ea. Axle)	7,000#	Supension	Multi-Leaf Slipper Spring w/Equalizer
Coupler	Adjustable 14K Cast 2-5/16"	Tire	ST235/80 R-16 Load Range E
Safety Chains	3/8" Grd. 70 w/Safety Latch Hook (2 ea)	Wheel	16" x 6"; Heavy White Mod 8 Bolt
Jack	12,000# Drop Leg Jack-Side Wind	Floor	2" Treated Pine or Douglas Fir*
Tongue	6" Channel Fold Back	Lights	L.E.D. D.O.T. Stop, Tail, Turn & Clearance
Front Stop Rail	2" Tubing	Elec. Plug	7-Way RV
Frame	6" Channel	Finish (Prep)	Steel is Cleaned to Ensure a Professional Smooth Finish.
Crossmembers	3" Channel, 3" Sq. Tube		
Uprights	3" Channel, 3" Sq. Tube	Finish	Superior Quality Finish is Applied for a Highly Decorative and Protective Finish.
Fenders	9" x 72" Double Square Brake Diamond Plate (Removable)		

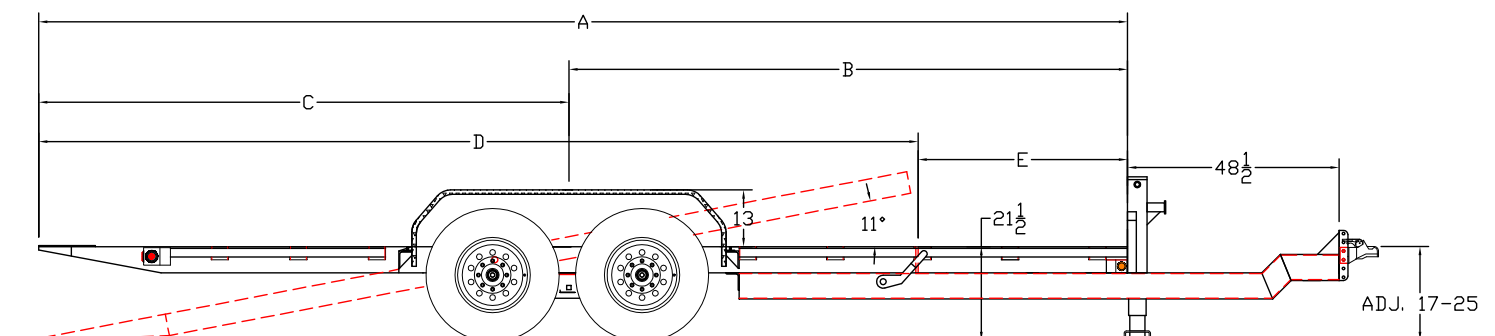
* Douglas Fir Available from Caldwell, ID Facility Only

Standard Features

- Rubrail and Tie Down Pockets Along Sides
- Adjustable 2-5/16" 14,000# Cast Coupler
- Fold Back/Wrap Tongue w/ Raised Coupler
- 12,000# Drop Leg Jack- Side Wind Against Bed
- 2" Tubular Stop Rail
- EZ Lube Hubs
- Dexter Brand Axles
- Nev-R-Adjust Electric Brakes on All Hubs
- Cambered 4" Drop Axles
- Complete Break-A-Way System w/Charger
- Double Broke Diamond Plate Fenders (Removable)
- Stationary Front Deck for Added Versatility
- Unique Two Piece Main Frame
- 102" Wide Overall, 83" Width Between Fenders
- Tilt Platform is 75" Wide
- Hydraulic Dampening System
- 1/4" Diamond Plate Knife Edge on Rear
- Grommet Mount Sealed Lighting
- L.E.D. Lighting Package
- Sealed Modular Wiring Harness
- Spare Tire Mount (Front)
- Radial Tires

Description

Dimensions					
Length	A	B	C	D	E
20'	249-1/2"	130-1/2"	119"	201"	48"
22'	273-1/2"	154-1/2"	119"	201"	72"



14TL Heavy Duty Tilt Bed Equipment ●



Model	Weight*	Description
14TL-20	3,460#	83" x 20' (16' + 4') Heavy Duty Tilt Bed Trailer
14TL-22	3,660#	83" x 22' (16' + 6') Heavy Duty Tilt Bed Trailer

*Weights shown are for base models without options and are estimates only

Optional Equipment

Category	Description
COUPLERS	Adjustable Pintle in Channel in Lieu of Coupler
BRAKES	Hydraulic Surge Brakes 2 Axles w/Adjustable Demco Actuator
TIRE/WHEEL	Spare Tire (ST235/80 R-16 LR-E)
TIRE/WHEEL	Tire Upgrade (ST235/85 R-16 LR-G)
TIRE/WHEEL	Spare Tire Upgrade (ST235/85 R-16 LR-G)
BODY	1/8" Diamond Plate Steel Floor (Per Square Foot)
CARGO CONTROL	Recessed D-Ring in Floor (Steel Floor Only)
CARGO CONTROL	B40 5/8" D-Ring (Each)