

14PI Heavy Duty Tandem Axle Pipe Top Utility

G.V.W.R.	14,000#	Axle	(2) 7,000#, EZ Lube w/Electric Brakes
G.A.W.R. (Ea. Axle)	7,000#	Supension	Multi-Leaf Slipper Spring w/Equalizer
Coupler	Adjustable 2-5/16" 14,000# Cast	Tire	ST235/80 R-16 Load Range E
Safety Chains	3/8" Grd. 70 w/Safety Latch Hook (2 ea)	Wheel	16" x 6"; Heavy White Mod 8 Bolt
Jack	7,000# Drop Leg Jack (Bolted On)	Floor	2" Treated Pine or Douglas Fir*
Tongue	6" Channel Fold Back/Wrap	Lights	L.E.D. D.O.T. Stop, Tail, Turn & Clearance
Top Rail	3" Square Tube Square Back	Elec. Plug	7-Way RV
Frame	5" x 3" x 5/16" Angle	Finish (Prep)	Steel is Cleaned to Ensure a Professional Smooth Finish.
Crossmembers	3" Channel on 16" Centers	Finish	Superior Quality Finish is Applied for a Highly Decorative and Protective Finish.
Uprights	15" Tall - 3" x 2" x 3/16" Angle		
Fenders	9" x 72" Double Broke Diamond Plate w/ Back		

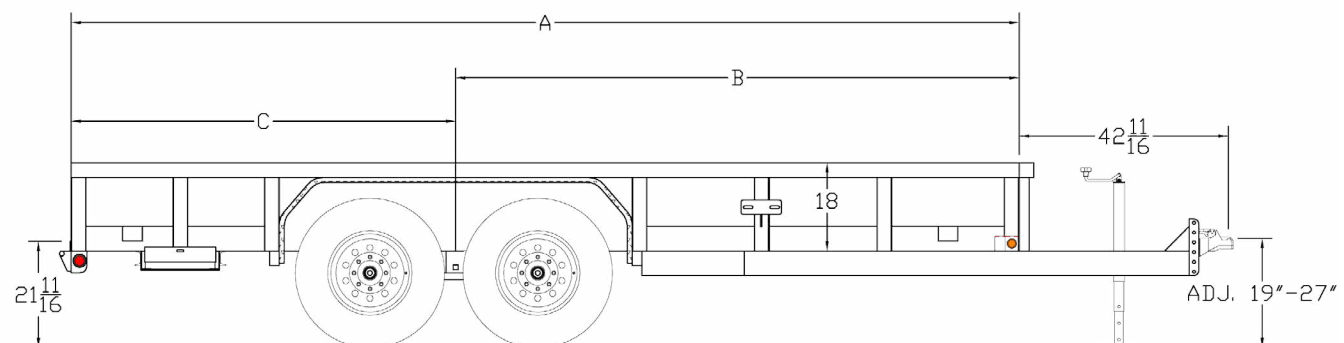
* Douglas Fir Available from Caldwell, ID Facility Only

Standard Features

- (4) Tie Down Pockets on Outside Frame
- Adjustable 14K Cast Coupler
- Set-Back, 7,000# Drop Leg Jack
- Fold Back/Wrap Tongue (14' & Longer)
- EZ Lube Hubs
- Dexter Brand Axles
- Nev-R-Adjust Electric Brakes on All Hubs
- Cambered Axles
- Heavy Duty 3" Square Tube Top Rail
- Double Broke Diamond Plate Fenders
- Grommet Mount Sealed Lighting
- L.E.D. Lighting Package
- Protected Wiring
- Spare Tire Mount (Side)
- 4' Slide-In Ramps (Channel)
- Complete Break-A-Way System w/Charger
- Radial Tires

Description

Dimensions			
Length	A	B	C
16'	193-1/2"	115"	78-1/2"
18'	217-1/2"	127"	90-1/2"
20'	240"	138"	102"



14PI Heavy Duty Tandem Axle Pipe Top Utility ●



Model	Weight*	Description
14PI-16	2,740#	83" x 16' HD Tandem Axle Pipe Top Utility Trailer
14PI-18	2,890#	83" x 18' HD Tandem Axle Pipe Top Utility Trailer
14PI-20	3,040#	83" x 20' HD Tandem Axle Pipe Top Utility Trailer

*Weights shown are for base models without options and are estimates only

Optional Equipment

Category	Description
COUPLERS	Adjustable Pintle in Channel ILO Coupler
JACKS	12,000# Drop Leg Jack - Top Wind
JACKS	12,000# Drop Leg Jack - Side Wind Against Bed
BRAKES	Hydraulic Surge Brakes 2 Axles w/Adjustable Demco Actuator
TIRE/WHEEL	Spare Tire (ST235/80 R-16 LR-E)
TIRE/WHEEL	Tire Upgrade (ST235/85 R-16 LR-G)
TIRE/WHEEL	Spare Tire Upgrade (ST235/85 R-16 LR-G)
RAMPS	5' Stand up Ramps in Lieu of Slide In
RAMPS	4' Heavy Duty Integrated Ramp Gate w/Gas Shock Assist in Lieu of Ramps
RAMPS	5' Heavy Duty Integrated Ramp Gate w/Gas Shock Assist in Lieu of Ramps (Split Gate)
BODY	Enclose Sides w/ Expanded Metal (Per Square Foot)
BODY	Enclose Sides w/ Sheet Metal (Per Square Foot)
BODY	2' High Sides (Open)
BODY	3' High Sides (Open)
BODY	4' High Sides (Open)
BODY	1/8" Diamond Plate Steel Floor (Per Square Foot)
CARGO CONTROL	Bolt-On Landscape Box- Extra Wide (24" x 24" x 87")
CARGO CONTROL	Additional Tie Down Pockets (Each)
CARGO CONTROL	B40 5/8" D-Ring (Each)