

G.V.W.R.	14,000#	Axle	(2) 7,000# EZ Lube w/Electric Brakes
G.A.W.R. (Ea. Axle)	7,000#	Supension	Multi-Leaf Spring w/Equalizer
Coupler	Adjustable Cast 2-5/16"	Tire	ST235/80 R-16 Load Range E
Safety Chains	3/8" Grd. 70 w/Safety Latch Hook (2 each)	Wheel	16" x 6" HD White Mod 8 Bolt
Jack	12,000# Drop Leg Jack - Side Wind	Floor	2" Treated Pine or Doublas Fur*
Tongue	6" Channel Fold Back/Wrap	Lights	L.E.D. D.O.T. Stop, Tail, Turn & Clearance
Top Rail	None	Elec. Plug	7-Way RV
Frame	6" Channel	Finish (Prep)	Steel is Cleaned to Ensure a Professional Smooth Finish.
Crossmembers	3" Channel on 16" Centers		
Uprights	None	Finish	Superior Quality Finish is Applied for a Highly Decorative and Protective Finish.
Fenders	3/16" Diamond Plate Drive Over		

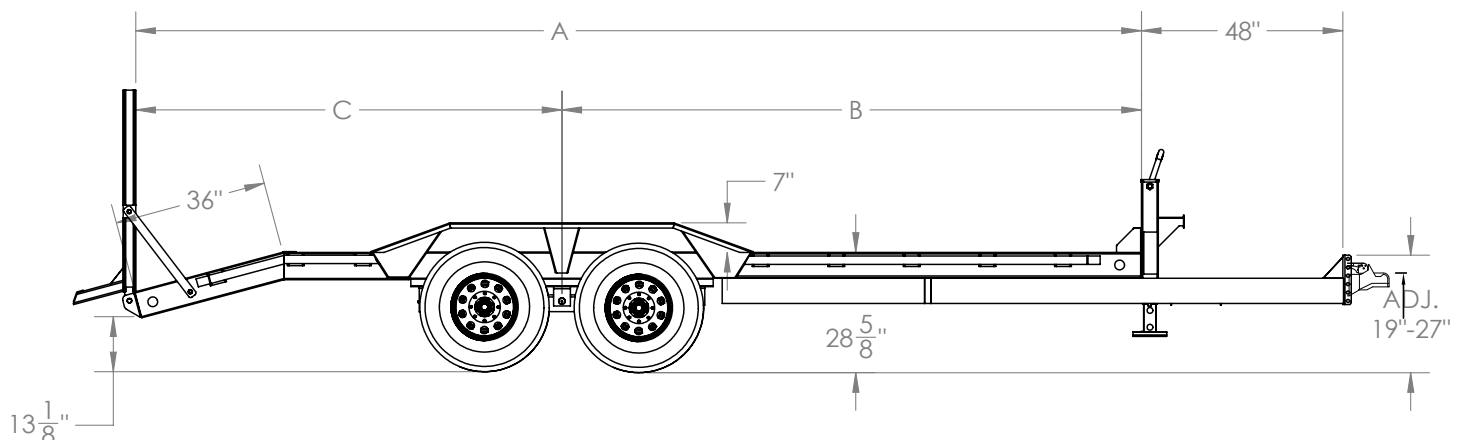
* Douglas Fir Available from Caldwell, ID Facility Only

Standard Features

- Rubrail and Tie Down Pockets Along Sides
- 36" Cleated, Self Cleaning Dovetail
- 4' Tall Channel Stand Up Ramps with Adj. Support Legs
- Adjustable 2-5/16" 14,000# Cast Coupler
- Fold Back/Wrap Tongue
- 12,000# Drop Leg Jack- Side Wind Against Bed
- Fabricated Front Stop Rail
- EZ Lube Hubs
- Dexter Brand Axles
- Nev-R-Adjust Electric Brakes on All Hubs
- Cambered Axles
- 3/16" Diamond Plate Drive Over Fenders
- Full Width In Front and Behind Fenders
- Grommet Mount Sealed Lighting
- L.E.D. Lighting Package
- Sealed Modular Wiring Harness
- Spare Tire Mount (Front)
- Complete Break-A-Way System w/Charger
- Radial Tires

Description

Dimensions			
Length	A	B	C
18'	217-1/2"	127"	90-1/2"
20'	240"	138"	102"
22'	217-1/2"	153"	110-1/2"



14DF Tandem Axle Equipment ●



Model	Weight*	Description
14DF-18	3,205#	96" x 18' Tandem Axle Equipment Trailer
14DF-20	3,340#	96" x 20' Tandem Axle Equipment Trailer
14DF-22	3,675#	96" x 22' Tandem Axle Equipment Trailer

*Weights shown are for base models without options and are estimates only

Optional Equipment

Category	Description
COUPLERS	Adjustable Pintle in Channel in Lieu of Coupler
BRAKES	Hydraulic Surge Brakes 2 Axles w/ Adjustable Demco Actuator
TIRE/WHEEL	Spare Tire (ST235/80 R-16 LR-E)
TIRE/WHEEL	Tire Upgrade (ST235/85 R-16 LR-G)
TIRE/WHEEL	Spare Tire Upgrade (ST235/85 R-16 LR-G)
BODY	1/8" Diamond Plate Steel Floor (Per Square Foot)
CARGO CONTROL	Recessed D-Ring in Floor (Steel Floor Only)
CARGO CONTROL	B40 5/8" D-Ring (Each)

Specialty Model - Limited Options